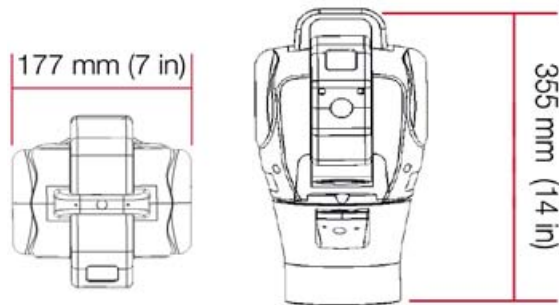




RADIANT™

Featuring INNOVO™ Technology



Parameter Specification

Range of Measurements Linear Range (Diameter): <i>Also Available:</i>	100 m (328 ft) 40 m (132 ft) 160+ m (526+ ft)
System Performance Azimuth Range: Elevation Range: Angular Resolution: System Angular Accuracy: System Resolution: Maximum Lateral Target Speed: Maximum Acceleration: Internal Level Accuracy:	± 320° (640° end to end) + 79° / -59° ± 0.018 arc seconds 3.5 µm/m 0.1 µm (0.0000039 in) 6 m/sec (20 ft/sec) > 2 g ±2 arc-second
Accuracy Static Measurement (IFM):	±10 µm or 5 ppm (2 sigma) <i>whichever is greater</i>
Laser HeNe Laser (IFM): Resolution: Accuracy: IR Laser (ADM-Maxx™): Resolution: Lock-on Accuracy:	Class II (eye safe) 0.08 µm (0.0000031 in) Better Than ±0.5 ppm Class I (eye safe) 0.1 µm (0.0000039 in) ±10 µm (±0.00039 in) or 1 ppm <i>whichever is greater</i>
Environmental Operating Temperature: Storage Temperature: Barometric Pressure: Relative Humidity: Altitude:	-10° C to > 45° C (14° F to > 113° F) -10° C to 60° C (14° F to 140° F) 225 mmHg - 900 mmHg 0-100% non-condensing 3000 m (9842.49 ft)
I-Vision™ Working Range: Field of Vision:	0 - 25 m (0 - 82 ft) (typical) 30° (diagonal)
Dimensions Tracker Weight: Tracker Size: Controller Weight: Controller Size:	9 kg (19.8 lb) 177 mm x 177 mm x 355 mm (7 in x 7 in x 14 in) 3.2 kg (7 lb) 110 mm x 160 mm x 310 mm (4.3 in x 6.3 in x 12.2 in)

EN0813

Technical specifications and descriptions may be subject to change.
©2012 Automated Precision Inc. All trademarks are property of their respective